

DAM6050

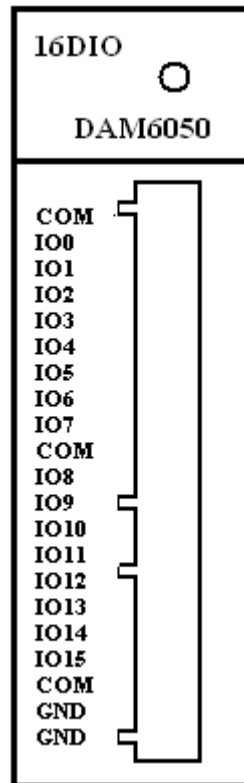
User's Manual



Beijing ART Technology Development Co., Ltd.

DAM6050

◆ Terminal Distribution

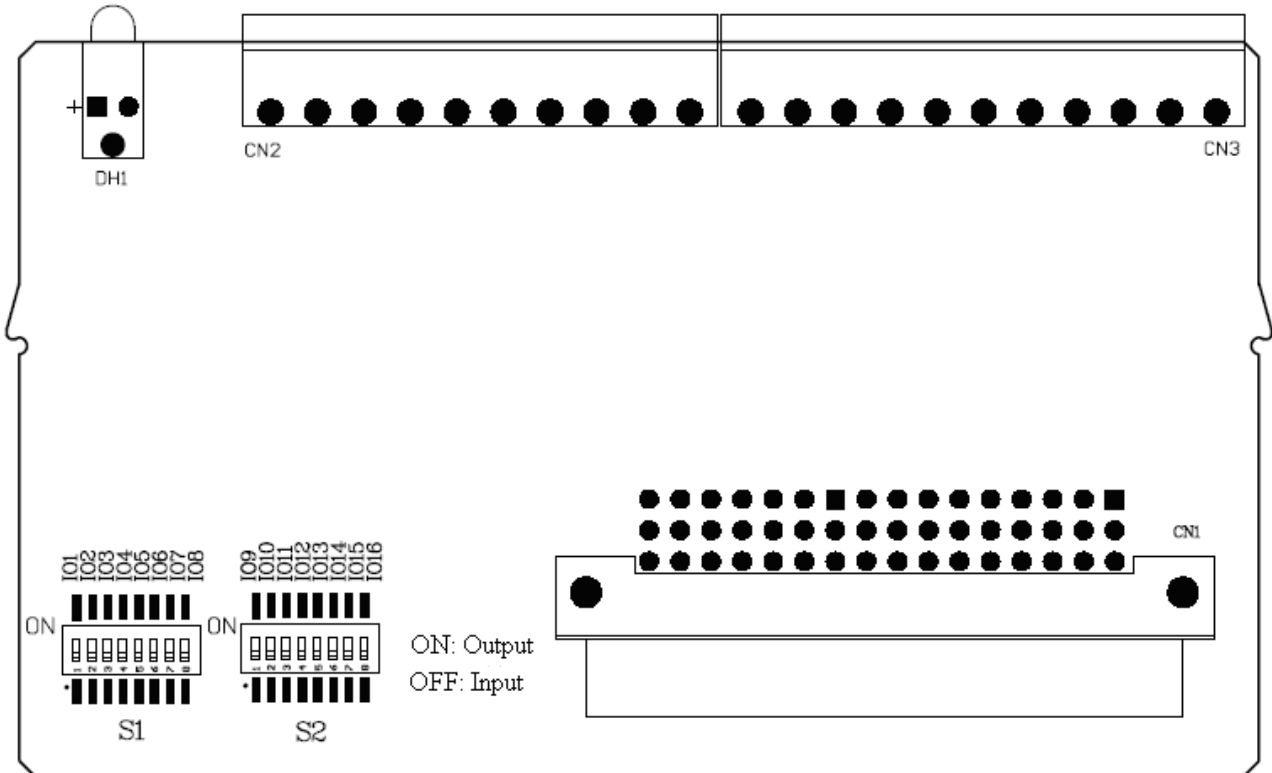


◆ Feature

16 Channels Digital Input/Output Module

- Digital Input/Output Channels: 16
- I/O Type: each channel can be set to input or output by DIP switch
- Digital Input:
 - Dry Contact:
 - Logic level 0: ground
 - Logic level 1: open circuit
 - Wet Contact:
 - Logic level 0: +2 V (max)
 - Logic level 1: +4 V ~ +30 V
- Digital Output: Open-collector 30V
 - 100mA and 450mW maximum load
- Power Consumption: 0.35W (typical) (70mA)
 - 1.2W (maximum) (240mA)

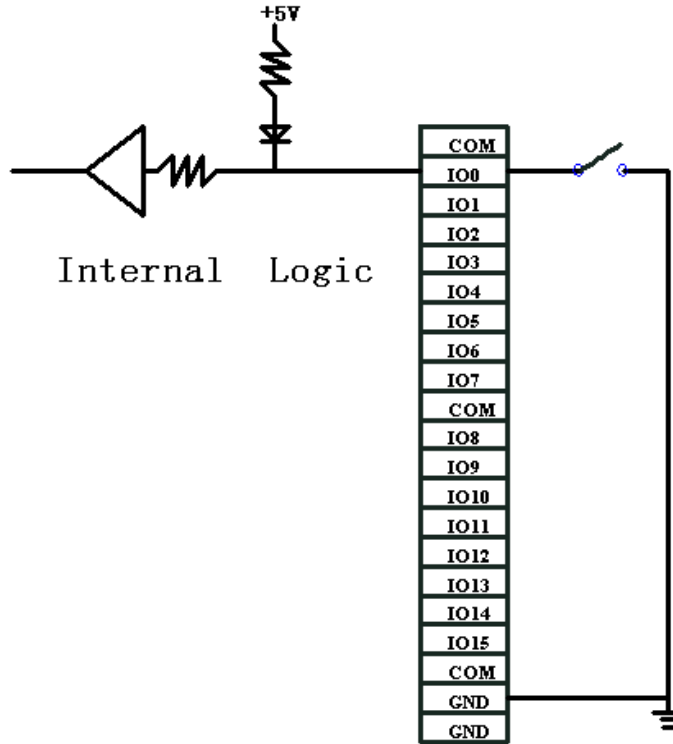
◆ DIP Switch



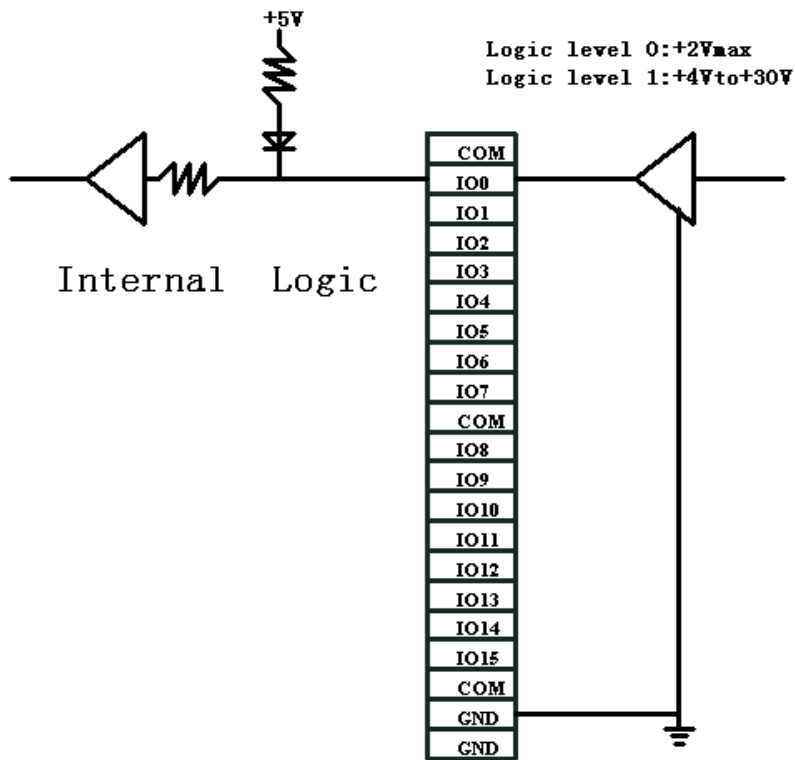
Each channel can be set to input or output. When set the DIP switch to the ON, it is output status, OFF is input status.

Note: the channel that be set to the output can not be used as the input channel, if want to use as the input channel, we should add the load, or it may damage the device.

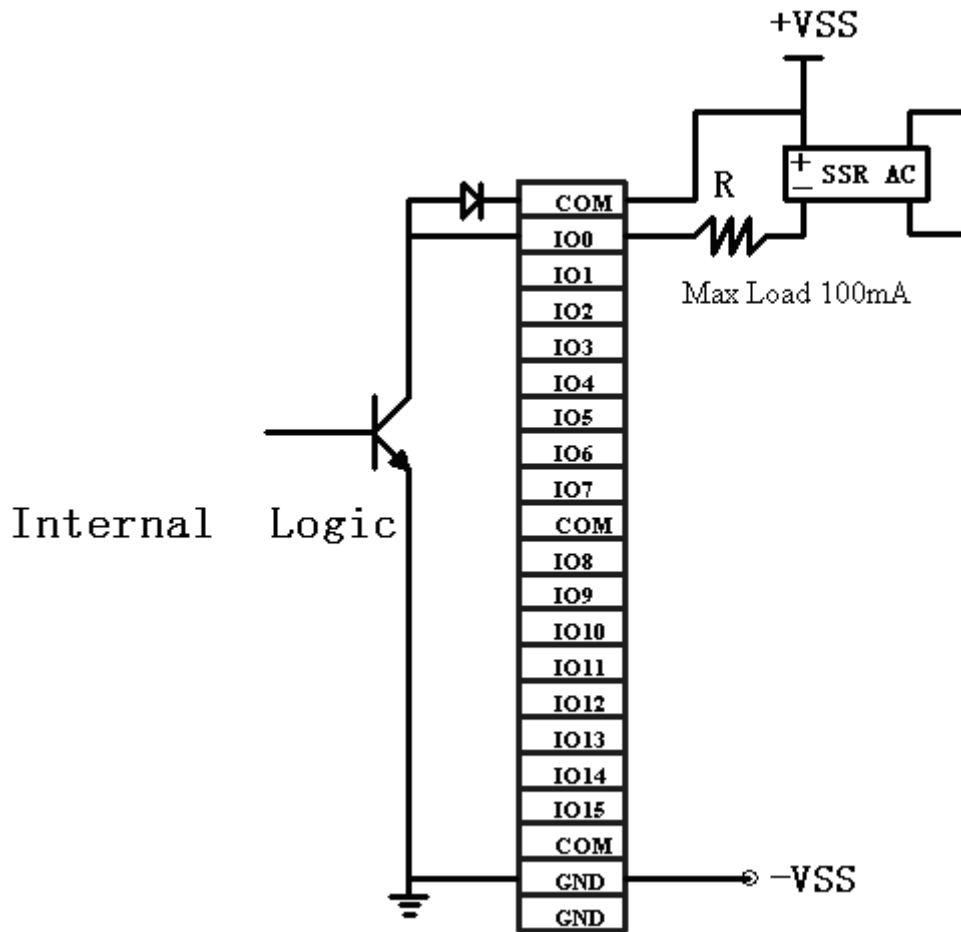
◆ Wiring



Dry Contact Signal Input Wiring



Wet Contact Signal Input Wiring



Digital Output Signal Wiring (take relay for example, the maximum output load current is 100mA)